

Installing batteries into Moon In My Room

Tool required - Small Phillips head screwdriver

1. Use a Phillips head screwdriver to remove the battery cover.
2. Insert 4 "AA" batteries. Make sure the "+" and "-" ends are inserted correctly, as indicated in the battery compartment.
3. Replace cover.
4. IMPORTANT! Switch Moon in My Room to the "ON" position before hanging on the wall.
PLEASE NOTE: The unit will not activate without the remote control.

BATTERY SAFETY INFORMATION

- Non-rechargeable batteries are not to be recharged.
- Rechargeable batteries are to be removed from the toy before being charged.
- Rechargeable batteries are only to be charged under adult supervision.
- Different types of batteries or new and used batteries are not to be mixed.
- Batteries are to be inserted with the correct polarity.
- Exhausted batteries are to be removed from the toy.
- The supply terminals are not to be short-circuited.
- Do not mix old and new batteries.
- Do not mix alkaline, standard (carbon-zinc) or rechargeable (nickel-cadmium) batteries.
- Do not dispose of batteries in fire. Battery may explode or leak.

Figure 1

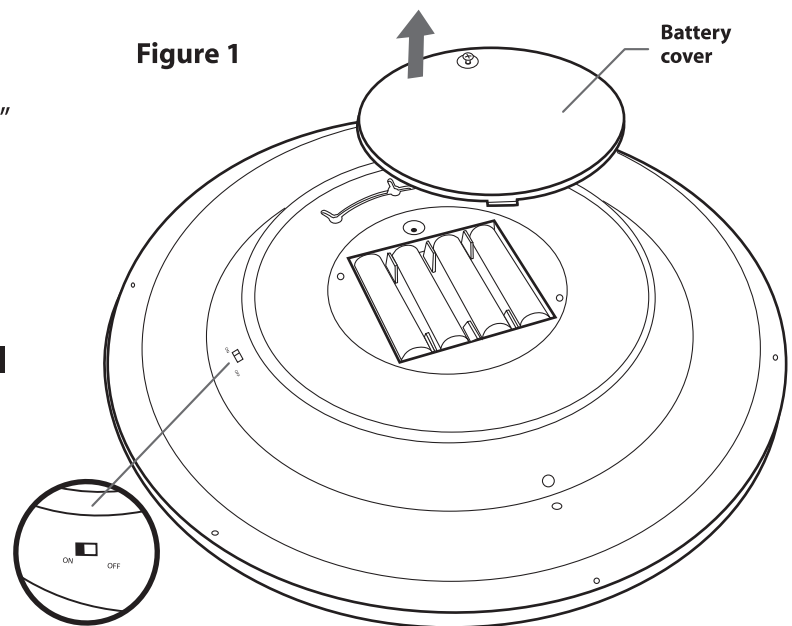


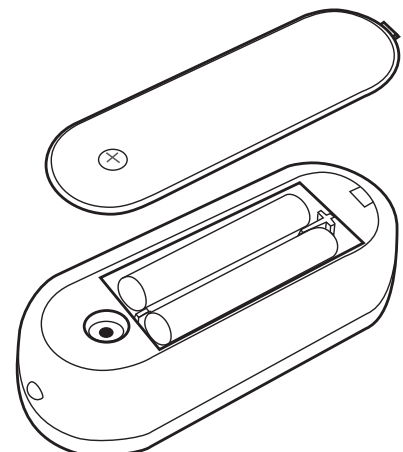
Figure 2

Installing batteries into the remote control

Tool required - Small Phillips head screwdriver

1. Use a Phillips head screwdriver to remove the battery door.
2. Insert 2 "AAA" batteries. Make sure the "+" and "-" ends are inserted correctly, as indicated in the battery compartment.
3. Replace cover.

Figure 3



Download an exciting audio tour of the moon at unclemilton.com!

Web Code:
MIMR56AT11

Hanging Moon In My Room

NOTE: *The Moon In My Room is only intended to hang on a vertical wall.*

1. Hang the Moon In My Room by one of the three hanging holes.
2. Select any one of the 3 hang holes to angle the moon to your desired position. This directly affects the angle of the crescents.

Using Moon In My Room

IMPORTANT: Before operating, be sure on/off switch located on the back of Moon In My Room is turned to the "ON" position.

NOTE: *In order for the moon to function properly, the room lights should be off.*

On/Off

To turn the moon off, press the ON/OFF button on your remote. Press ON/OFF button again to reactivate a full moon.

Auto Off

Moon automatically shuts off after 30-minutes if there is no manual interaction.

Manual Phase

To manually cycle through the moon phases, press the manual phase button. If you leave the moon on in a phase, it will automatically turn off after 30 minutes.

Auto Phase

Your Moon In My Room will cycle through the moon phases automatically, when you *push* the automatic phase button. The moon will cycle from phase to phase in five-second intervals. In this mode, the moon will automatically turn off after 30-minutes.

KEEP THESE INSTRUCTIONS FOR FUTURE REFERENCE — DO NOT DISCARD
Questions? Visit us at unclemilton.com



MANUFACTURED BY UNCLE MILTON INDUSTRIES, INC.
P.O. Box 6281
THOUSAND OAKS, CA 91359 USA
©2011 UMI. All rights reserved. ® and TM designate trademarks of Uncle Milton Industries, Inc.
MADE IN CHINA

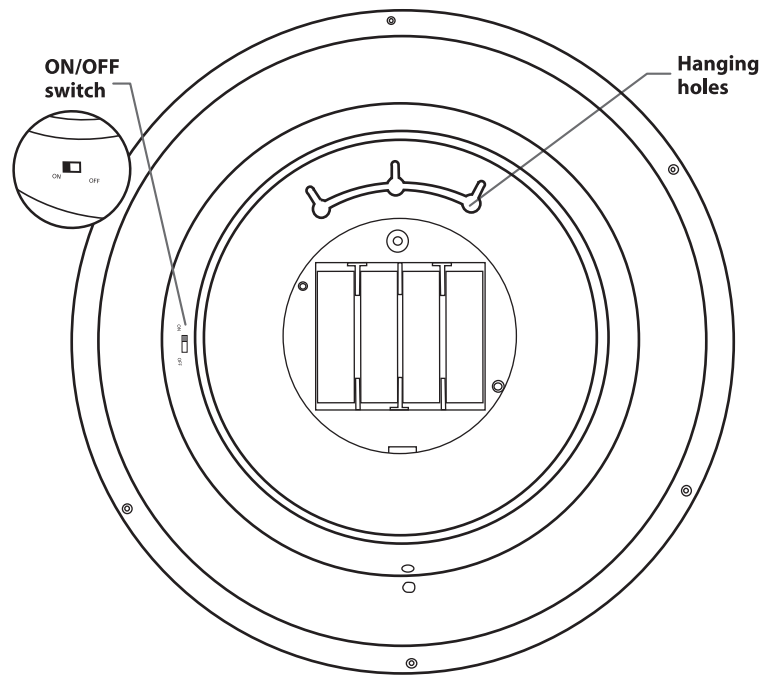


Figure 4

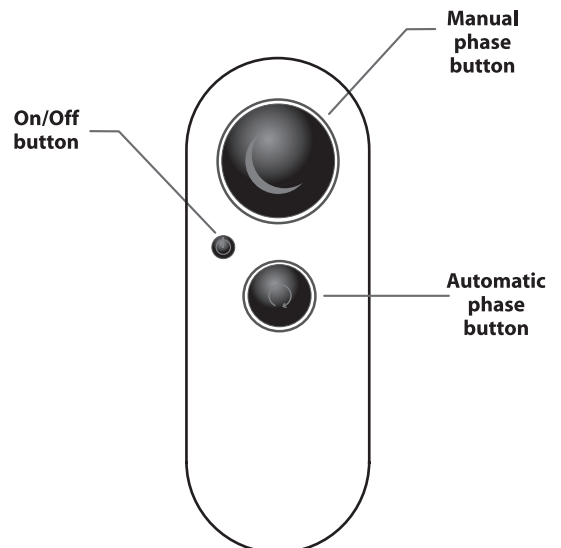


Figure 5

Caution: changes or modifications not expressly approved by the party responsible for compliance could void the user's authority to operate the equipment.

NOTE: This equipment has been tested and found to comply with the limits for a Class B digital device, pursuant to Part 15 of the FCC Rules. These limits are designed to provide reasonable protection against harmful interference in a residential installation. This equipment generates, uses and can radiate radio frequency energy and, if not installed and used in accordance with the instructions, may cause harmful interference to radio communications. However, there is no guarantee that interference will not occur in a particular installation. If this equipment does cause harmful interference to radio or television reception, which can be determined by turning the equipment off and on, the user is encouraged to try to correct the interference by one or more of the following measures:

- Reorient or relocate the receiving antenna.
- Increase the separation between the equipment and receiver.
- Connect the equipment into an outlet on a circuit different from that to which the receiver is connected.
- Consult the dealer or an experienced radio/TV technician for help