

BATTERY INFORMATION

Non-rechargeable batteries are not to be changed. Rechargeable batteries are only to be changed under adult supervision.

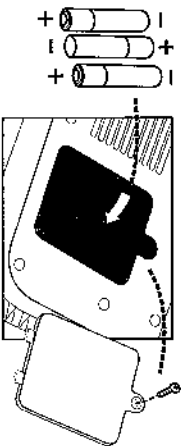
Rechargeable batteries are to be removed from the toy before being charged.

The supply terminals are not to be short-circuited.

- Different types of batteries or new and used batteries are not to be mixed.
- Batteries are to be inserted with the correct polarity.
- Exhausted batteries are to be removed from the toy.
- Dispose of batteries safely.
- Do not dispose of batteries in fire. Batteries may explode or leak.

BATTERY INSTALLATION

Using a Phillips/crosshead screwdriver (not included), loosen the screws in the battery compartment cover (screws stay attached to cover.) Remove the cover. Insert 3 x 1.5V "AA" size batteries. Alkaline batteries recommended. Replace cover and tighten screws.

**FCC STATEMENT**

This device complies with Part 15 of the FCC Rules. Operation is subject to the following two conditions: (1) the device may not cause harmful interference, and (2) this device must accept any interference received, including interference that may cause undesired operation.

Warning: Changes or modifications to this unit not expressly approved by the party responsible for compliance could void the user's authority to operate the equipment.

NOTE: This equipment has been tested and found to comply with the limits for a Class B digital device, pursuant to Part 15 of the FCC Rules. These limits are designed to provide reasonable protection against harmful interference in a residential installation. This equipment generates, uses and can radiate radio frequency energy, and if not installed and used in accordance with the instructions, may cause harmful interference to radio communication. However, there is no guarantee that interference will not occur in a particular installation. If this equipment does cause harmful interference to radio or television reception, which can be determined by turning the equipment off and on, the user is encouraged to try to correct the interference by one or more of the following measures:

- Reorient or relocate the receiving antenna.
- Increase the separation between the equipment and receiver.
- Connect the equipment into an outlet on a circuit different from that to which the receiver is connected.
- Consult the dealer or an experienced radio/TV technician for help.

CE

Item#
02178

Fisher-Price®



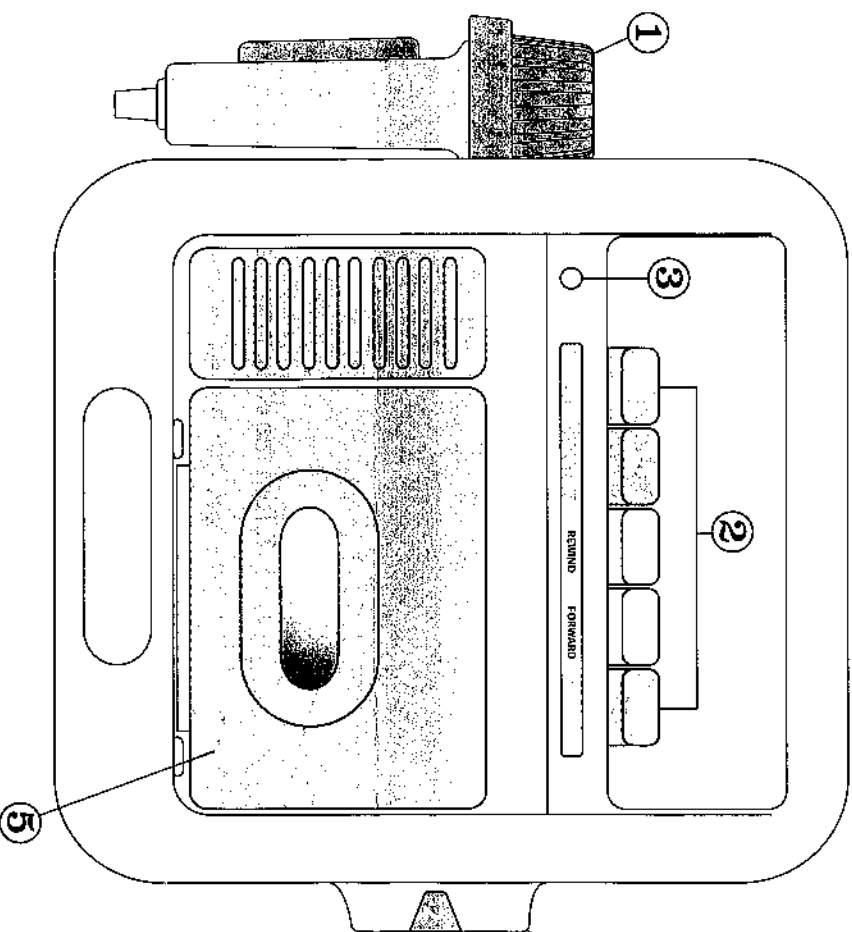
The warning in this symbol indicates that the product and its batteries must not be disposed of with other household waste as they may contain elements which can have a harmful effect on the environment and human health. Please see appropriate collection points in your area. For more information, please visit www.fishers-price.com. This notice shows required facility ref: www.fishers-price.com

WARNING! Not suitable for children under 3 due to small parts.
The colors and decorations of products included may sometimes vary from the pictures on the packaging. Please refer to the packaging for future reference.

Conforms to the safety requirements of ASTM F963. Fisher-Price™ and associated trademarks are owned by and used under license from Mattel. ©2016 Mattel. All Rights Reserved. Made in China.
Manufactured for and distributed by:
Basic Fun, a Div. of The Bridge Direct, Inc.
Boca Raton, FL 33431, USA
For comments or inquiries visit us at www.basicfun.com



Fisher-Price® Play Tape Recorder

**INSTRUCTIONS****FEATURES**

- ① Microphone
- ② Function Buttons
- ③ Power Light
- ④ Volume Knob
- ⑤ Cassette Door

BATTERY INFORMATION

Non-rechargeable batteries are not to be charged. Rechargeable batteries are only to be charged under adult supervision.

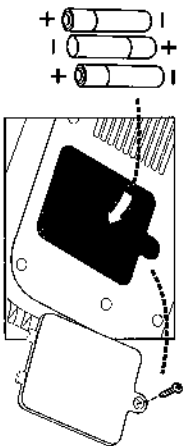
Rechargeable batteries are to be removed from the toy before being charged.

The supply terminals are not to be short-circuited.

- Different types of batteries or new and used batteries are not to be mixed.
- Batteries are to be inserted with the correct polarity.
- Exhausted batteries are to be removed from the toy.
- Dispose of batteries safely.
- Do not dispose of batteries in fire. Batteries may explode or leak.

BATTERY INSTALLATION

Using a Phillips/crosshead screwdriver (not included), loosen the screws in the battery compartment cover (screws stay attached to cover.) Remove the cover. Insert 3 x 1.5V "AA" size batteries. Alkaline batteries recommended. Replace cover and tighten screws.

**FCC STATEMENT**

This device complies with Part 15 of the FCC Rules. Operation is subject to the following two conditions: (1) the device may not cause harmful interference, and (2) this device must accept any interference received, including interference that may cause undesired operation.

Warning: Changes or modifications to this unit not expressly approved by the party responsible for compliance could void the user's authority to operate the equipment.

NOTE: This equipment has been tested and found to comply with the limits for a Class B digital device, pursuant to Part 15 of the FCC Rules. These limits are designed to provide reasonable protection against harmful interference in a residential installation. This equipment generates, uses and can radiate radio frequency energy, and if not installed and used in accordance with the instructions, may cause harmful interference to radio communication. However, there is no guarantee that interference will not occur in a particular installation. If this equipment does cause harmful interference to radio or television reception, which can be determined by turning the equipment off and on, the user is encouraged to try to correct the interference by one or more of the following measures:

- Reorient or relocate the receiving antenna.
- Increase the separation between the equipment and receiver.
- Connect the equipment into an outlet on a circuit different from that to which the receiver is connected.
- Consult the dealer or an experienced radio/TV technician for help.



Item#
02178

Fisher-Price®



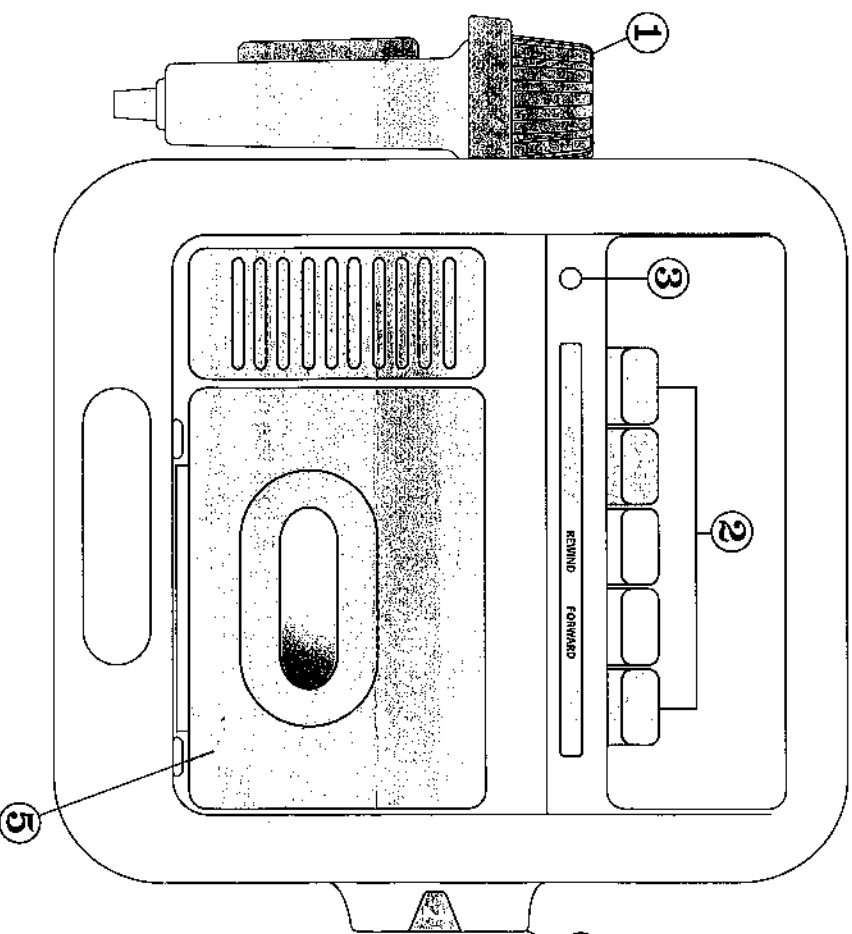
The plastic alignment indicators that the product and the batteries meet and fit together with their intended use as they may contain elements which can have a harmful effect on the environment and human health. Please see designated collection points to help reduce your environmental liability by see: www.recycling.com

WARNING! Not suitable for children under 3 due to small parts. The colors and decorations of products enclosed may sometimes vary from the picture on the packaging. Please refer to the package for future reference.

Conforms to the safety requirements of ASTM F963. Fisher-Price™ and associated trademarks are owned by and used under license from Mattel. © 2016 Mattel. All Rights Reserved. Made in China.
Manufactured for and distributed by:
Basic Fun, a Div. of The Bridge Direct, Inc.
Boca Raton, FL 33431, USA
For comments or inquiries visit us at www.basicfun.com



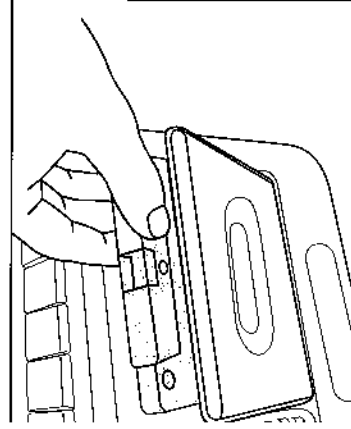
Fisher-Price® Play Tape Recorder

**INSTRUCTIONS****FEATURES**

- ① Microphone
- ② Function Buttons
- ③ Power Light
- ④ Volume Knob
- ⑤ Cassette Door

ERTING PLAY CASSETTE

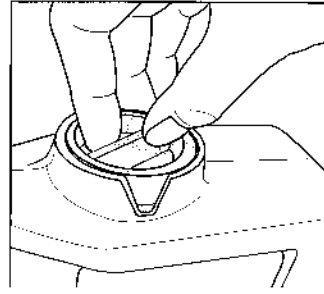
NOTE: This toy does not work with real cassette tapes. Please only use Play Tape included. Music and recordings are stored to digital memory inside the toy.



1. Pull open the cassette compartment door by the corner tab.
2. Insert the cassette with the tape side you would like to play facing forwards.

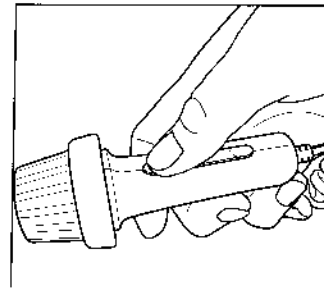
Note: Side 1 contains 3 songs (Humpty Dumpty • London Bridge Is Falling Down • Farmer In The Dell) and Side 2 contains 3 songs (Twinkle Twinkle • Hickory Dickory Dock • Jack and Jill) and allows you to record!

NTROLLING VOLUME



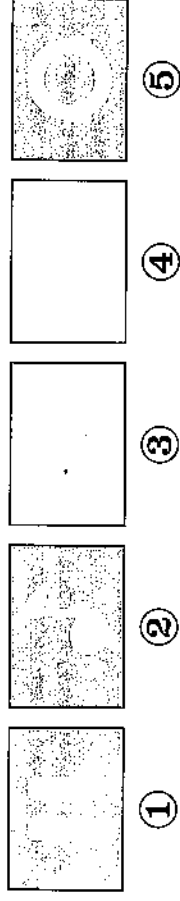
1. Turn the dial clockwise or counterclockwise to get the desired volume level.

SING THE MICROPHONE



1. Press and hold the button on microphone to amplify your voice and/or record!

FUNCTION BUTTONS



① PAUSE:

- Press to stop the music or recording.

② PLAY:

- Place the Play Tape into the cassette door.
- Press the Play button all the way down until it clicks.
- Press the Pause button to stop the music.

Note: You can use the microphone and /or record while music is playing!

③ REWIND and ④ FAST FORWARD

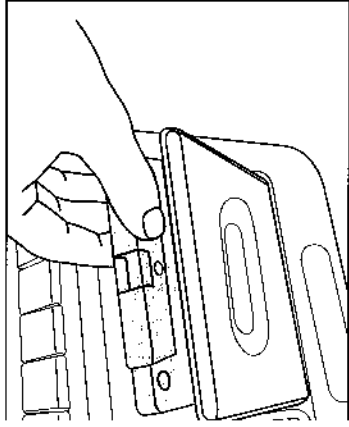
- Press Rewind or Fast Forward once to skip through the songs/recordings.
- Hold down Rewind or Fast Forward to move within a song.

⑤ RECORD:

- Press the Record button down until it clicks.
- Press and hold button on microphone, and speak into the microphone to make a recording.
- You can also record along with the music! Press Play and Record at the same time, and use the microphone to sing along.

ERTING PLAY CASSETTE

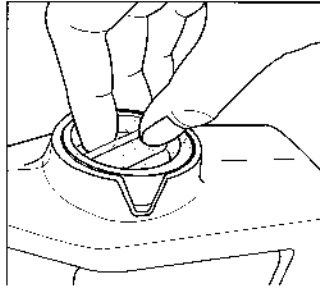
NOTE: This toy does not work with real cassette tapes. Please only use Play Tape included. Music and recordings are stored in digital memory inside the toy.



1. Pull open the cassette compartment door by the corner tab.
2. Insert the cassette with the tape side you would like to play facing forwards.

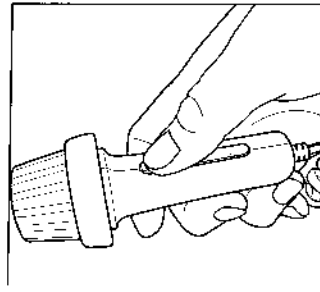
Note: Side 1 contains 3 songs (Humpty Dumpty • London Bridge Is Falling Down • Farmer In The Dell) and Side 2 contains 3 songs (Twinkle Twinkle • Hickory Dickory Dock • Jack and Jill) and allows you to record!

NTROLLING VOLUME



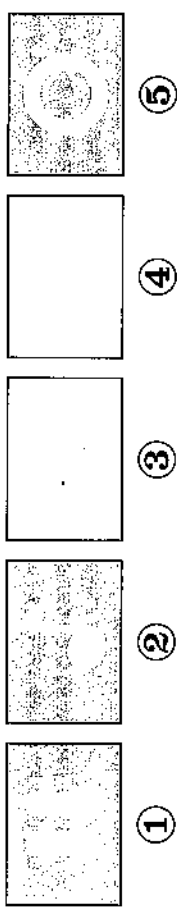
1. Turn the dial clockwise or counterclockwise to get the desired volume level.

SING THE MICROPHONE



1. Press and hold the button on microphone to amplify your voice and/or record!

FUNCTION BUTTONS



① PAUSE:

- Press to stop the music or recording.

② PLAY:

- Place the Play Tape into the cassette door.
- Press the Play button all the way down until it clicks.
- Press the Pause button to stop the music.

Note: You can use the microphone and /or record while music is playing!

③ REWIND and ④ FAST FORWARD

- Press Rewind or Fast Forward once to skip through the songs/recordings.
- Hold down Rewind or Fast Forward to move within a song.

⑤ RECORD:

- Press the Record button down until it clicks.
- Press and hold button on microphone, and speak into the microphone to make a recording.
- You can also record along with the music! Press Play and Record at the same time, and use the microphone to sing along.